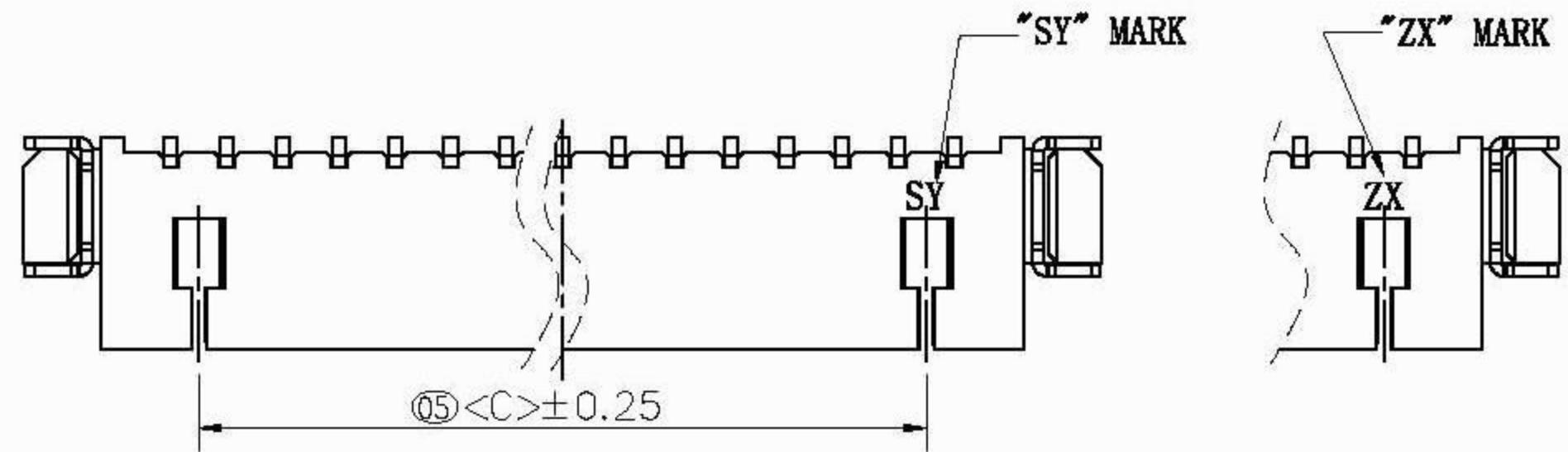
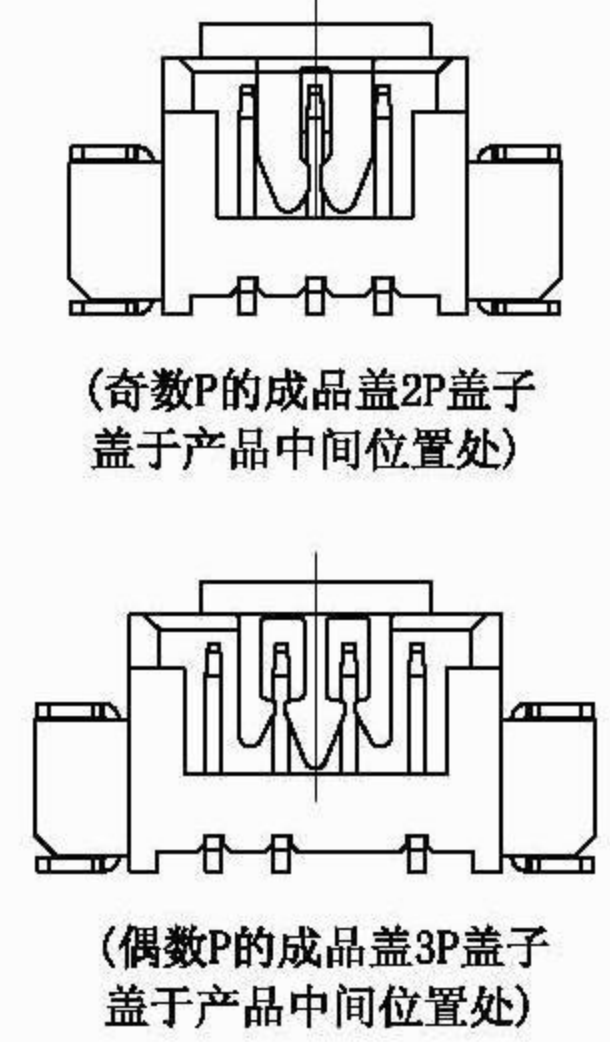
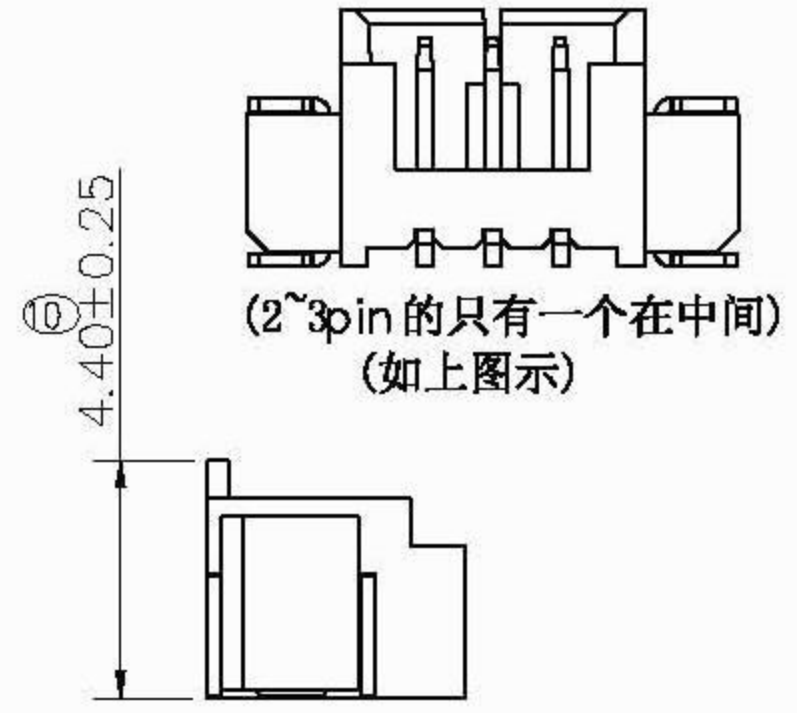
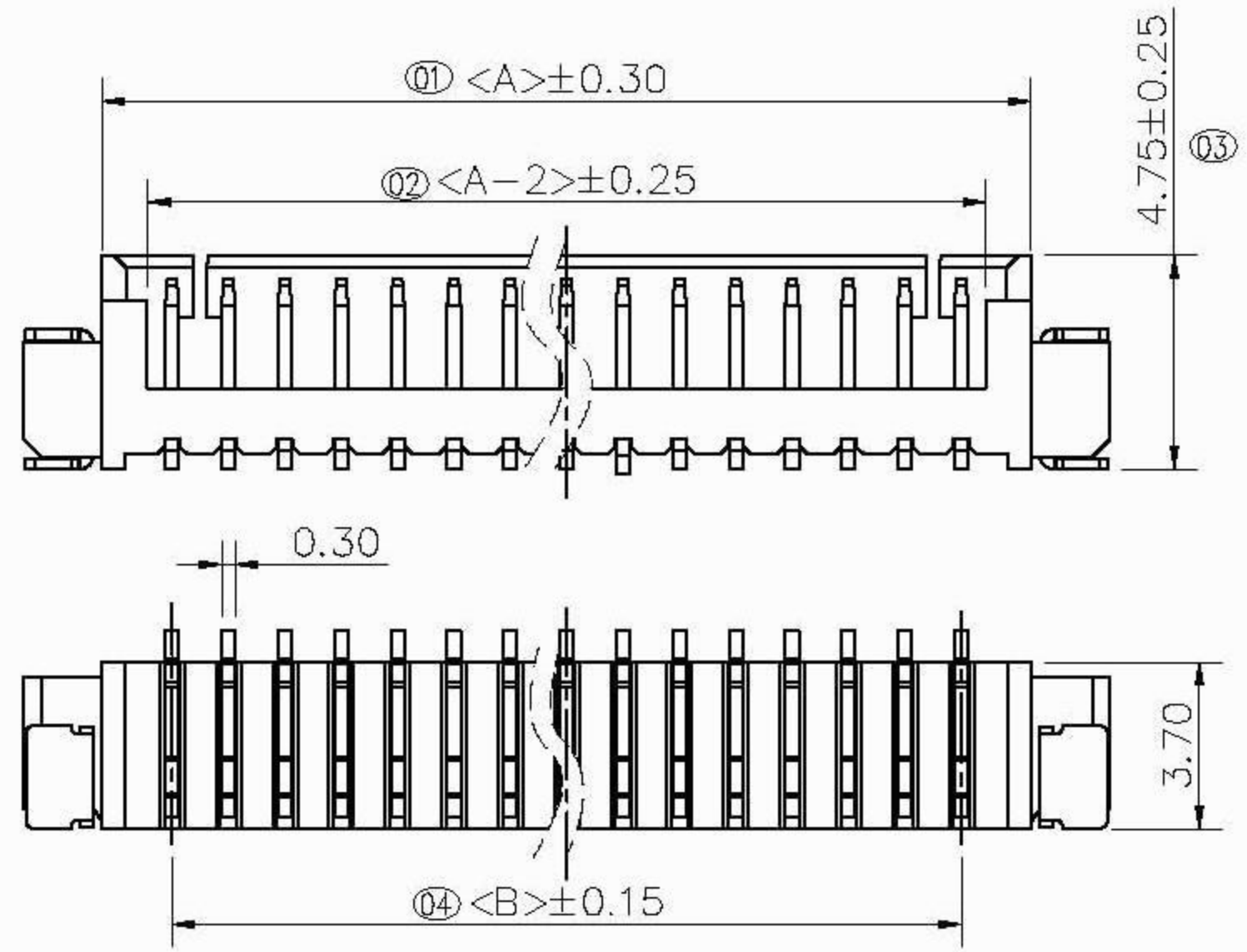
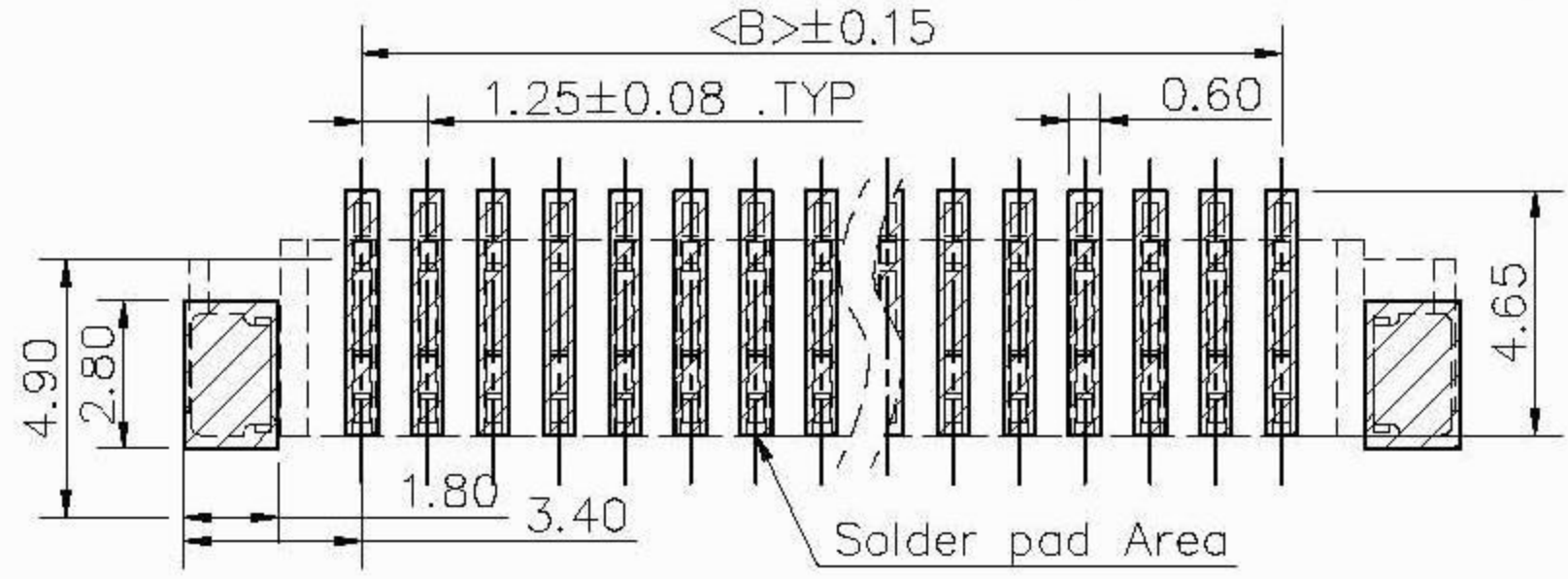


REV.	ECN NO.	DESCRIPTION	DATE	DESIGN
F	NAE10010	新增PA9T料规格及变更料号, 新增盖子示意图	10.01.26	肖勇
G	NAE10100	新增盖子&胶芯PA6T料, 端子&定位片零辅料号	10.05.28	钱安琴

NOTES:
 CURRENT RATING: 1A AC/DC.
 VOLTAGE RATING: 125V AC/DC.
 TEMPERATURE RANGE: -25° C~+85° C.
 CONTACT RESISTANCE: 20mΩ MAX.
 INSULATION RESISTANCE: 500MΩ MIN.
 WITHSTANDING VOLTAGE: 500V AC/MINUTE.



Recommended P.C.B Layout(Top Side)
 P.C.B Thickness = 1.20-1.60mm (Tolerance=±0.05)



PART NO.	Dimensions		
	A	B	C
WF1250DV02	4.25	1.25	
WF1250DV03	5.50	2.50	
WF1250DV04	6.75	3.75	2.50
WF1250DV05	8.00	5.00	3.75
WF1250DV06	9.25	6.25	5.00
WF1250DV07	10.50	7.50	6.25
WF1250DV08	11.75	8.75	7.50
WF1250DV09	13.00	10.00	8.75
WF1250DV10	14.25	11.25	10.00
WF1250DV11	15.50	12.50	11.25
WF1250DV12	16.75	13.75	12.50
WF1250DV13	18.00	15.00	13.75
WF1250DV14	19.25	16.25	15.00
WF1250DV15	20.50	17.50	16.25

零件BOM

编号	料号	组件名称	材质	规格
⑬	A1250CV3	2脚端子本色	PA6T UL 94V-0	COLOR: NATURE
⑭	A1250CV2	3脚端子本色	PA6T UL 94V-0	COLOR: NATURE
⑮	A1250CV3BK	2脚端子黑色	PA6T UL 94V-0	COLOR: BLACK
⑯	A1250CV2BK	3脚端子黑色	PA6T UL 94V-0	COLOR: BLACK
⑰	A1250TD10	雾锡定位片	BRASS T=0.25	NI:30-50u"; SN(雾锡):70-120u"
⑱	A1250TD00	亮锡定位片	BRASS T=0.25	NI:30-50u"; SN:70-120u"
⑲	A1250TVSB070	镀金端子	BRASS T=0.30	NI:30-50u"; 镀金全30u"min
⑳	A1250TVSB010	雾锡端子	BRASS T=0.30	NI:30-50u"; SN(雾锡):70-120u"
㉑	A1250TVSB000	亮锡端子	BRASS T=0.30	NI:30-50u"; SN:70-120u"
㉒	A1250HVSXX3SY	胶壳"SY" mark	LCP UL 94V-0	COLOR: NATURE
㉓	A1250HVSXX3	胶壳 无mark	LCP UL 94V-0	COLOR: NATURE
㉔	A1250HVSXX2	胶壳 无mark	PA9T UL 94V-0	COLOR: NATURE
㉕	A1250HVSXX1ZX	胶壳"ZX" mark	PA46 UL 94V-0	COLOR: NATURE
㉖	A1250HVSXX1SY	胶壳"SY" mark	PA46 UL 94V-0	COLOR: NATURE
㉗	A1250HVSXX1	胶壳 无mark	PA46 UL 94V-0	COLOR: NATURE
㉘	A1250HVSXX0ZX	胶壳"ZX" mark	PA6T UL 94V-0	COLOR: NATURE
㉙	A1250HVSXX0SY	胶壳"SY" mark	PA6T UL 94V-0	COLOR: NATURE
㉚	A1250HVSXX0	胶壳 无mark	PA6T UL 94V-0	COLOR: NATURE

成品架构BOM

成品料号	组件编号
A1250WVSXX27C	① ① ⑭ ⑰ ⑱
A1250WVSXX26CSY	⑨ ① ⑭ ⑮ ⑯
A1250WVSXX26C	⑧ ① ⑭ ⑮ ⑯
A1250WVSXX24C	⑦ ② ⑭ ⑰ ⑱
A1250WVSXX31ZX	⑥ ⑩ ⑬
A1250WVSXX31SY	⑤ ⑩ ⑬
A1250WVSXX31	④ ⑩ ⑬
A1250WVSXX30ZX	③ ⑩ ⑬
A1250WVSXX30SY	② ⑩ ⑬
A1250WVSXX30	① ⑩ ⑬

DIM	TOL	DIM	TOL
X.	/	X'.	/
X.X	±0.25	X.X'	±2°
X.XX	±0.20	X.XX'	±1°
X.XXX	±0.10	X.XXX'	/

GXCON ENTERPRISE CO., LTD

DRAW NO.	DATE	P/N NO:	DRAW NAME:
DESIGN:		WF1250DVXX	MX 1.25 180° SMT Wafer
CHECK:			
REVIEW:		REV. G	SCALE 1:1
		UNIT: mm	SHEET: 1 OF 1